

JGAS02SEN

GE Appliances 24" Standard Clean Free-Standing Gas Range

DIMENSIONS AND INSTALLATION INFORMATION (IN INCHES)

OPTIONAL GAS RANGE ACCESSORY DRIP PANS FOR SEALED AND STANDARD BURNER MODELS

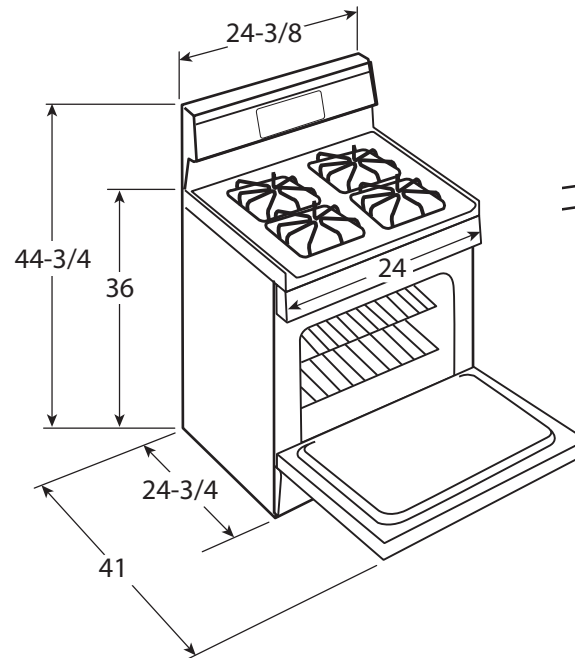
(Available at additional cost)

To order these accessory drip pans,
call toll-free 800-626-2002

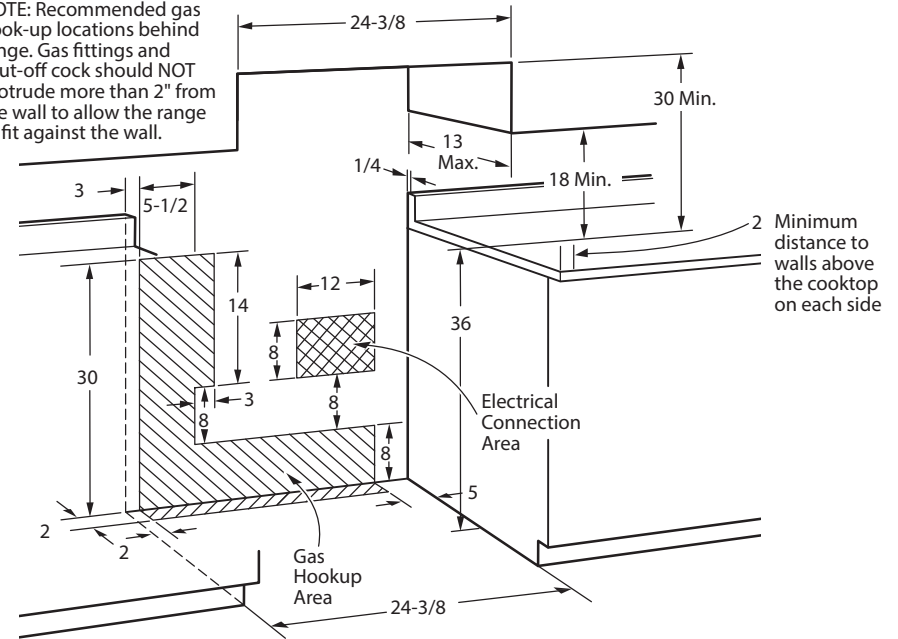
GAS SELF-CLEAN RANGE ANTI-TIP BRACKET (PART NO. 205C1714P001)

ELECTRICAL RATING: 120V, 60Hz, 5A

INSTALLATION INFORMATION: Before
installing, consult installation instructions packed
with product for current dimensional data.



NOTE: Recommended gas
hook-up locations behind
range. Gas fittings and
shut-off cock should NOT
protrude more than 2" from
the wall to allow the range
to fit against the wall.



GE APPLIANCES

For answers to your Monogram, GE Café™ Series,
GE Profile™ Series or GE Appliances product questions,
visit our website at geappliances.com or call GE Answer
Center® Service, 800.626.2000.



All GE ranges are equipped with
an Anti-Tip device. The installation
of this device is an important,
required step in the installation
of the range.

Specification Revised 12/15

JGAS02SEN

GE Appliances 24" Standard Clean Free-Standing Gas Range

FEATURES AND BENEFITS

Standard Clean Oven - Offers a traditional oven design that requires hand cleaning

All-Purpose Burners - Deliver a wide range of heat output ideal for most cooking requirements

Heavy Cast Square Grates

Porcelain Upswept Cooktop - Features raised edges to help contain spills and make clean-up easy

Lift-Up Cooktop - Cooktop lifts up for easy access to porcelain-enameled subtop

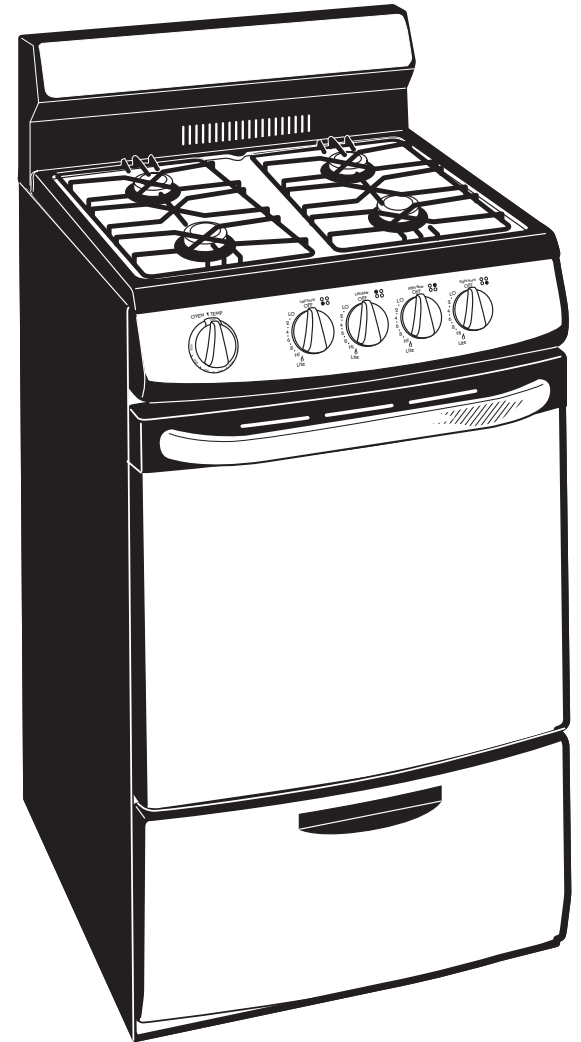
Electronic Ignition - Ensures a continuous flame and reignites automatically if accidentally extinguished

Four Embossed Rack Positions - Increase cooking flexibility and maximize oven capacity

Broiler Drawer - Supplies a concentrated heat for crisping and browning

Extra-Large Broiler Pan and Grid

Model JGAS02SENSS - Stainless steel



GE APPLIANCES